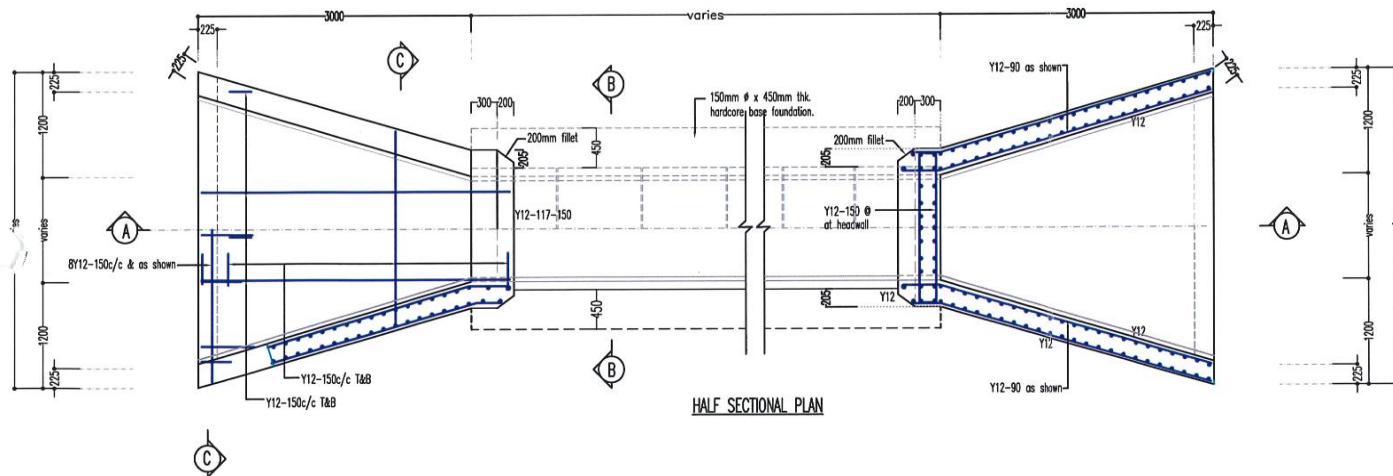
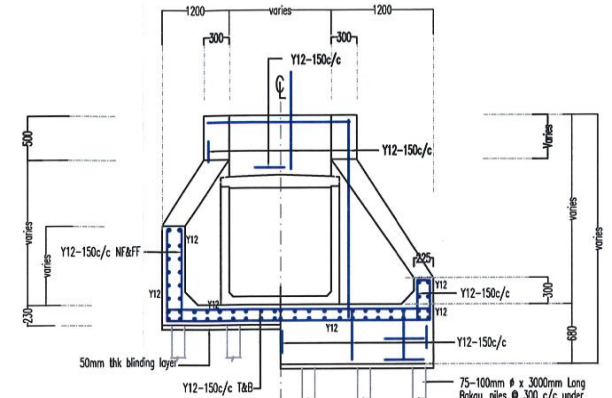


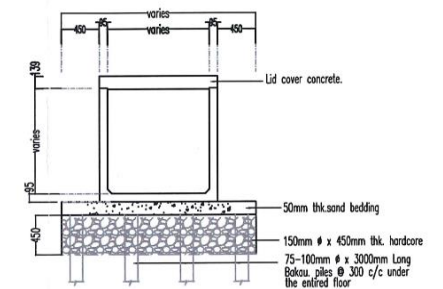
SECTION A-A
scale 1:50



HALF SECTIONAL PLAN



SECTION C-C
scale 1:50



SECTION B-B
scale 1:50

NOTES:

- All dimensions are in millimeters unless otherwise indicated.
- CONCRETE**
 - Plain concrete grade 10 for 50mm thk. blinding layer.
 - Reinforced concrete grade 30 for all reinforcement concrete.
- COVER TO REINFORCEMENT.**
40mm base slab and 25mm for all other reinforcement.
- FORMWORK**
Rough faced formwork for surfaces in contact with earth fair faced formwork for all other surfaces.
- BAKAU PILES**
75-100mm diameter x 3000mm long bakau piles to be driven at 300mm centres both ways under the entire structure or as directed.
- PAINING.**
As specified for all exposed concrete surfaces.

1000
PULAU PINANG

KAWASAN PEMBANGUNAN PERTANIAN BERSEPADU
PULAU PINANG
Jalan Jelawat, Bandar Seberang Jaya,
13700 Perai, Pulau Pinang
Tel: 04-3907801
Fax no: 04-3907803

BUTIRAN	NOTA / PINDAAN	TANDA TANGAN	TARIKH
1	PINDAAN 1		7/2019

KAWASAN PEMBANGUNAN PERTANIAN BERSEPADU PULAU PINANG

PRECAST BOX CULVERT WITH WING WALL

INILAH PELAN YANG BERKENAAN DI DALAM KONTRAK NO.

DIBUAT OLEH	DIREVISI OLEH	DISEMAK OLEH

Antika
VIRIDIANA P. PUNJUDIAL
JULIFFERA
KAWASAN PEMBANGUNAN PERTANIAN BERSEPADU
NEGERI PULAU PINANG

TANDA TANGAN	NAMA	TARIKH	SEKIL: 1 : 50 & AS SHOWN
	ZULKARNAIN BIN MOISA	JULY 2019	NO. PELAN: IADA-STD/M16-22
		JULY 2019	NO. NEG.
		JULY 2019	NO. KABINET

[Signature]
NOOR HANISAH BINTI HET
TENGKARAH
KAWASAN PEMBANGUNAN PERTANIAN BERSEPADU
NEGERI PULAU PINANG

TANDA TANGAN	NAMA	TARIKH	SEKIL: 1 : 50 & AS SHOWN
	ZULKARNAIN BIN MOISA	JULY 2019	NO. PELAN: IADA-STD/M16-22
		JULY 2019	NO. NEG.
		JULY 2019	NO. KABINET